

R EtherCAT System (200V)

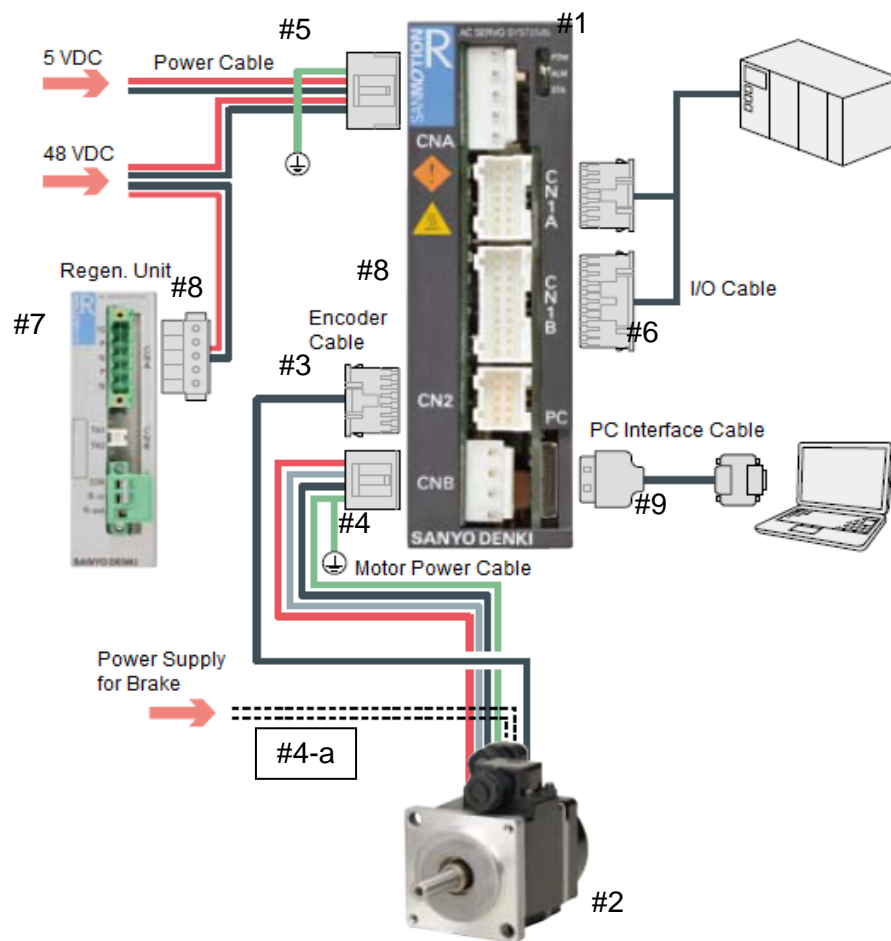
Model Number	Category / Type	Description
RS2A01A0KA4	Servo amplifier	AC200V, 15A, EtherCAT, w/ Regen Resister
R2AA04003FXP00M (E01*)	Servo motor	R2 motor, 30W, 40mmsq, 17bit , AC200V
R2AA04005FXP00M (E01*)	Servo motor	R2 motor, 50W, 40mmsq, 17bit, AC200V
R2AA04010FXP00M (E01*)	Servo motor	R2 motor, 100W, 40mmsq, 17bit , AC200V
R2AA04010FCP00M6 (E01*)	Servo motor	R2 motor, 90W, 40mmsq, 17bit , w/ Brake, AC200V
R2AA06010FXP00M (E01*)	Servo motor	R2 motor, 100W, 60mmsq, 17bit , AC200V
R2AA06020FXP00M (E01*)	Servo motor	R2 motor, 200W, 60mmsq, 17bit , AC200V
MEXTK1810FT	Motor Power Cable	15 Amp 10ft Motor Power Cable
EEXTKABS2410FT	Encoder Cable	10ft Absolute Enocder Cable
MEXTBRK2010FT	Motor Brake Cable	10 ft Brake Cable
*E01: w/ CPC Screw Lock Type connector assembly, available with an additional charge of \$54.00 + 2 weeks lead time (*No Discount)		

RS2A03A0KA4	Servo amplifier	AC200V, 30A, EtherCAT, w/ Regen Resister
R2AA06040FXP00M (E01*)	Servo motor	R2 motor, 400W, 60mmsq, 17bit , AC200V
R2AA06040FCP00M6 (E01*)	Servo motor	R2 motor, 360W, 60mmsq, 17bit , w/ Brake, AC200V
R2AA08075FXP00M (E01*)	Servo motor	R2 motor, 750W, 80mmsq, 17bit
R2AA08075FCP00M (E01*)	Servo motor	R2 motor, 750W, 80mmsq, 17bit
MEXTK1810FT	Motor Power Cable	15 Amp 10ft Motor Power Cable
EEXTKABS2410FT	Encoder Cable	10ft Absolute Enocder Cable
MEXTBRK2010FT	Motor Brake Cable	10 ft Brake Cable
*E01: w/ CPC Screw Lock Type connector assembly, available with an additional charge of \$54.00 + 2 weeks lead time (*No Discount)		

Accessories

AL-00632607	Servo connector	Amplifier EN1 EN2 Connector
AL-Y0004290-02	Servo connector	Amplifier CN2 Connector
AL-00718252-01	Servo connector	Amplifier CN3 Connector
AL-00689703-01	Servo connector	PC interface cable
AL-00686902-01	Servo connector	amplifier CN A connector
AL-Y0004079-01	Servo connector	amplifier CNB connector
1026-100407	Servo cable	I/O cable, 3FT
1026-100410	Servo cable	safety off cable, 3FT
1026-100416	Servo cable	Safety torque off cable with connector for battery
TL-5903	Servo option	Battery
0251-X017	Servo option	Battery case
REGIST-120W100B	Resistor	Regenerative resistor, 30W, 100ohms (Calculation needed, ask Sales.)
REGIST-220W50B	Resistor	Regenerative resistor, 55W, 50ohms (Calculation needed, ask Sales.)

P19 R ADVANCED 48V wd R ADVANCED 48VDC wiring Diagram



To build a complete system, you need to have " * " items below.

*	1	RF2G21A	Servo amplifier	48VDC, Servo Amplifier, w/ Regen. Resister
*	2	R2GA****FXP00ME01	Servo motor	R2 motor, 30W-200W, 17bit ABS encoder, 100VAC, w/motor & encoder connectors
*	3	EEXTGABS2410FT	Encoder Cable	10' cable w/ CN2 Connector, for R2 Motor
*	4	MEXTG1810FT	Motor Power Cable	10' cable w/ CN B Connector
	4-a	MEXTGBRK2010FT	Brake Cable	10 ft Brake Cable (Only for Brake Equipped Motor)
	5	AL-00745943-01	Amp. Cable	Amplifier Power Cable, 2m
*	6	AL-00745949-01	I/O Cable	I/O Cable set, for CN1A and CN1B
*	7	RF1BB00	Regen. Unit	Regenerative Unit
	8	AL-00329461-01	Connector	CNA (Plug)
	9	AL-00490833-01	PC I/F Cable	PC Interface cable

R ADVANCED 48VDC

Model Number	Category / Type	Description
R ADVANCED (48VDC)		
RF2G11A0A00	Servo amplifier	48VDC, 25A, w/o Regen. Resister
R2GAD102RMXH00 (E01*)	Servo motor	R2 motor, 2.4W, 14mmsq, 17bit , 48VDC
RF2G21A0A00	Servo amplifier	48VDC, 40A, w/o Regen. Resister
R2GA04003FXP00 (E01*)	Servo motor	R2 motor, 30W, 40mmsq, 17bit , 48VDC
R2GA04005FXP00 (E01*)	Servo motor	R2 motor, 50W, 40mmsq, 17bit, 48VDC
R2GA04008DXP00 (E01*)	Servo motor	R2 motor, 80W, 40mmsq, 17bit , 48VDC
R2GA04008DCP00 (E01*)	Servo motor	R2 motor, 80W, 40mmsq, 17bit , w/ Brake, 48VDC
R2GA06010DXP00 (E01*)	Servo motor	R2 motor, 100W, 60mmsq, 17bit , 48VDC
R2GA06020DXP00 (E01*)	Servo motor	R2 motor, 80W, 40mmsq, 17bit , w/ Brake, 48VDC
R2GA06020DCP00 (E01*)	Servo motor	R2 motor, 100W, 60mmsq, 17bit , 48VDC
MEXTG1810FT	Motor Power Cable	10ft Motor Power Cable
EEXTGABS2410FT	Motor Encoder Cable	10ft Absolute Encoder Cable
MEXTGBRK2010FT	Motor Brake Cable	10 ft Brake Cable (Only for Brake Equipped Motor)
*E01: w/ Centerline connector assembly, available with an additional charge of \$54.00 + 2 weeks lead time (*No Discount)		

Accessories

AL-00745943-01	Servo connector	Amp. Power Cable(2m)
AL-00745949-01	Servo connector	I/O Cable set, for CN1A and CN1B
RF1BB00	Servo motor	Regenerative Unit
AL-00329461-01	Servo motor	CNA(Plug)

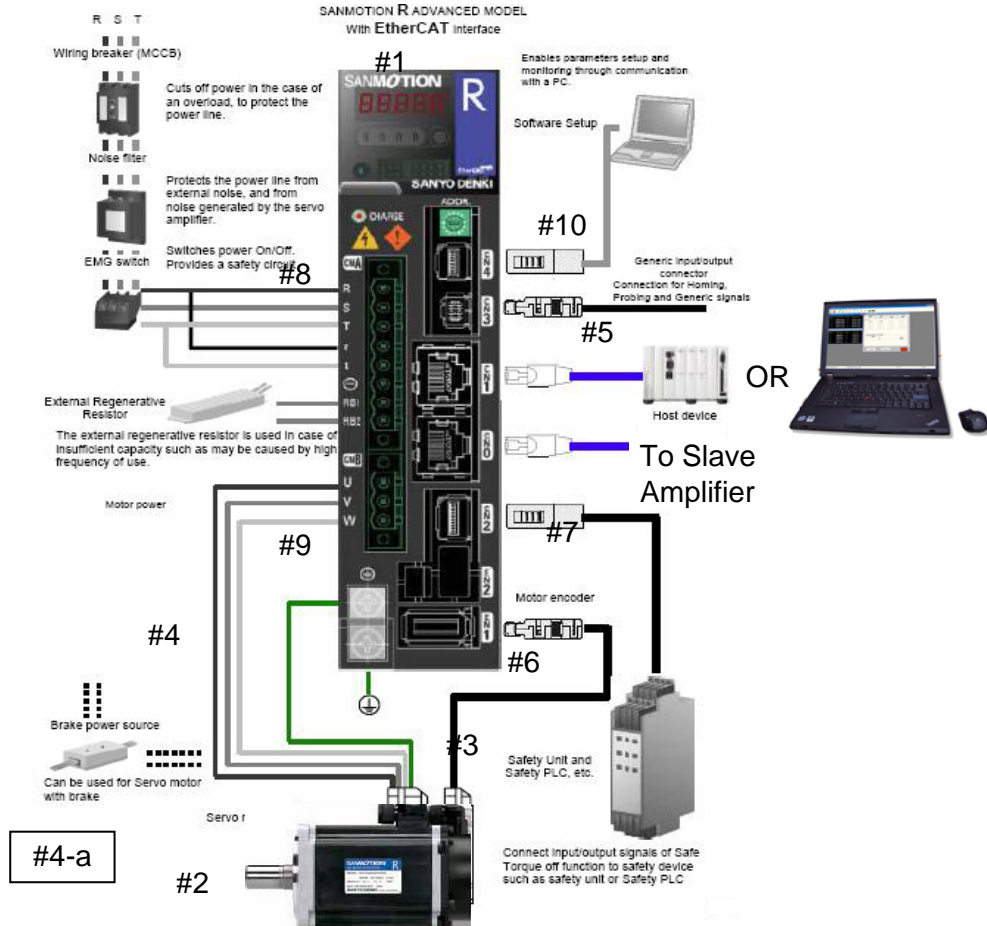
R High speed EtherCAT(48VDC)

RS2K04A2HA5	Servo amplifier	48VDC, 40A, w/Regen. Resister
R2GA04003FXP00 (E01*)	Servo motor	R2 motor, 30W, 40mmsq, 17bit , 48VDC
R2GA04005FXP00 (E01*)	Servo motor	R2 motor, 50W, 40mmsq, 17bit, 48VDC
R2GA04008DXP00 (E01*)	Servo motor	R2 motor, 80W, 40mmsq, 17bit , 48VDC
R2GA04008DCP00 (E01*)	Servo motor	R2 motor, 80W, 40mmsq, 17bit , w/ Brake, 48VDC
R2GA06010DXP00 (E01*)	Servo motor	R2 motor, 100W, 60mmsq, 17bit , 48VDC
R2GA06020DXP00 (E01*)	Servo motor	R2 motor, 80W, 40mmsq, 17bit , w/ Brake, 48VDC
R2GA06020DCP00 (E01*)	Servo motor	R2 motor, 100W, 60mmsq, 17bit , 48VDC
1026-100599	Motor Power Cable	10ft Motor Power Cable
1026-100600	Motor Encoder Cable	10ft Absolute Encoder Cable
MEXTGBRK2010FT	Motor Brake Cable	10 ft Brake Cable (Only for Brake Equipped Motor)
*E01: w/ Centerline connector assembly, available with an additional charge of \$54.00 + 2 weeks lead time (*No Discount)		

Accessories

AL-00842383	I/O CONNECTOR	Amplifier CN2 Connector *No need if I/O cable is purchased
AL-00632607	Connector	EN1 Connector *No need if Encoder Ext. cable is purchased
AL-00718252-01	Connector	Amplifier CN1 Connector for STO
AL-00849548-02	Connector	Amplifier CN1 Connector for STO cancellation **Supplied with Amplifier
AL-Y0010913-01	Connector	CN A Connector **Supplied with Amplifier
AL-Y0004079-01	Connector	CN B Connector *No need if Motor Power Ext. cable is purchased
AL-00689703-01	PC Interface Cable	PC INTERFACE CABLE **Option

P17 R EtherCAT 100VAC wd R EtherCAT wiring Diagram (100V)



To build a complete system, you need to have " * " items below.

*	1	RS2E0*AK4	Servo amplifier	AC100V, Servo Amplifier, w/ Regen. Resister
*	2	R2EA****FXP00ME01	Servo motor	R2 motor, 30W-200W, 17bit encoder, 100VAC, w/motor & encoder connectors
*	3	EEXTKABS2410FT	Encoder Cable	10' cable w/ CN1 Connector, for R2 Motor
*	4	MEXTK1810FT	Motor Power Cable	10' cable w/ CN B Connector,
	4-a	MEXTBRK2010FT	Brake Cable	10 ft Brake Cable (Only for Brake Equipped Motor)
	5	AL-00718252-01	I/O CONNECTOR	Amplifier CN3 Connector **Option
*	6	AL-00632607	Connector	EN1 Connector *No need if Encoder Ext. cable is purchased
*	7	AL-Y0004290-02	Connector	Amplifier CN2 Connector
	8	AL-00686902-01	Connector	CN A Connector **Supplied with Amplifier
*	9	AL-Y0004079-01	Connector	CN B Connector *No need if Motor Power Ext. cable is purchased
	10	AL-00689703-01	PC Interface Cable	PC INTERFACE CABLE **Option

R EtherCAT 100VAC

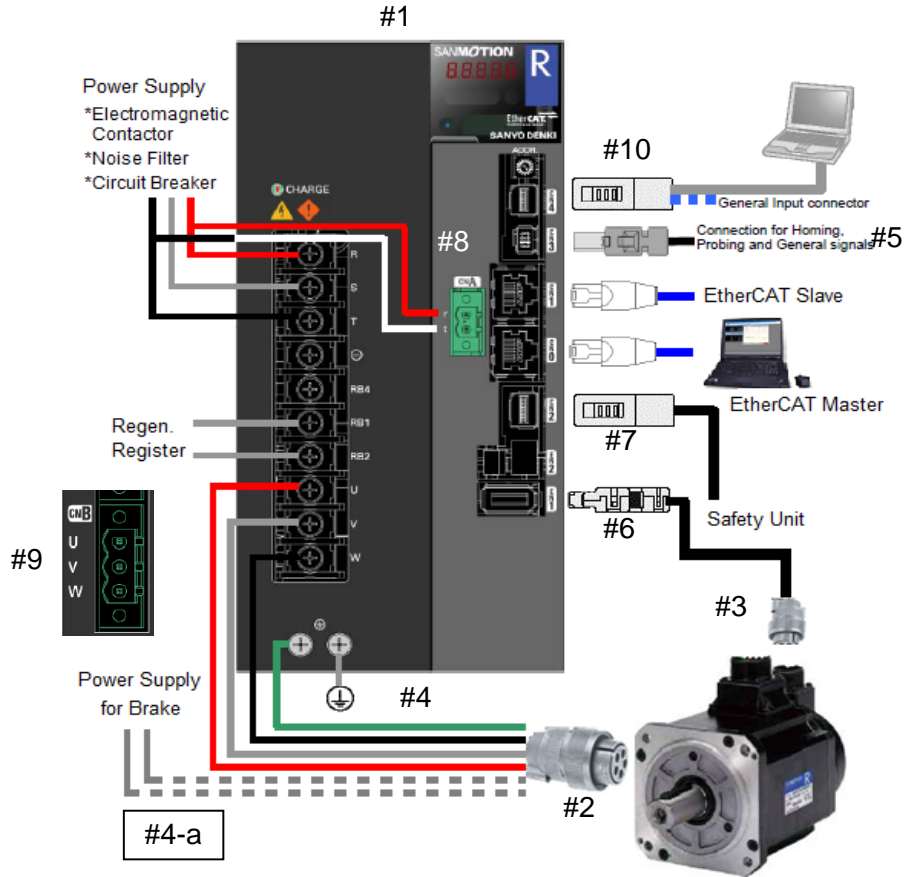
Model Number	Category / Type	Description
RS2E01A0KA4	Servo amplifier	AC100V, 15A, w/o Regen. Resister
R2EA04003FXP00M (E01*)	Servo motor	R2 motor, 30W, 40mmsq, 17bit , 100VAC
R2EA04005FXP00M (E01*)	Servo motor	R2 motor, 50W, 40mmsq, 17bit, 100VAC
R2EA04008FXP00M (E01*)	Servo motor	R2 motor, 80W, 40mmsq, 17bit , 100VAC
R2EA04008FCP00M (E01*)	Servo motor	R2 motor, 100W, 40mmsq, 17bit, w/ Brake, 100VAC
R2EA06010FXP00M (E01*)	Servo motor	R2 motor, 100W, 60mmsq, 17bit , 100VAC
MEXTK1810FT	Motor Power Cable	15 Amp 10ft Motor Power Cable
EEXTKABS2410FT	Encoder Cable	10ft Absolute Enocder Cable
MEXTBRK2010FT	Motor Brake Cable	10 ft Brake Cable
*E01: w/ CPC Screw Lock Type connector assembly, available with an additional charge of \$54.00 + 2 weeks lead time (*No Discount)		

RS2E03A0KA4	Servo amplifier	AC100V, 15A, w/o Regen. Resister
R2EA06020FXP00M (E01*)	Servo motor	R2 motor, 200W, 60mmsq, 17bit , 100VAC
R2EA06020FCP00M (E01*)	Servo motor	R2 motor, 200W, 60mmsq, 17bit, w/ Brake, AC100V
MEXTK1810FT	Motor Power Cable	30 Amp 10ft Motor Power Cable
EEXTKABS2410FT	Encoder Cable	10ft Absolute Enocder Cable
MEXTBRK2010FT	Motor Brake Cable	10 ft Brake Cable
*E01: w/ CPC Screw Lock Type connector assembly, available with an additional charge of \$54.00 + 2 weeks lead time (*No Discount)		

Accessories

AL-00632607	Servo connector	Amplifier EN1 EN2 Connector
AL-Y0004290-02	Servo connector	Amplifier CN2 Connector
AL-00718252-01	Servo connector	Amplifier CN3 Connector
AL-00689703-01	Servo connector	PC interface cable
AL-00686902-01	Servo connector	amplifier CN A connector
AL-Y0004079-01	Servo connector	amplifier CNB connector
REGIST-120W100B	Resistor	Regenerative resistor, 30W, 100ohms needed, ask Sales.) (Calculation
REGIST-220W50B	Resistor	Regenerative resistor, 55W, 50ohms needed, ask Sales.) (Calculation

P15 R EtherCAT Mid wd R EtherCAT Mid Capacity wiring Diagram



To build a complete system, you need to have "*" items below.

*	1	RS2A0*AK4	Servo amplifier	AC200V, Servo Amplifier, w/ Regen. Resister
*	2	R2AA****FXP00ME01	Servo motor	R2 motor, 500W-5KW, 17bit encoder,
*	3	EEXTKABSJN10FT	Encoder Cable	10ft cable w/ EN1 JN Connector for R2 Motor
*	4	MEXTK18JN10FT	Motor Power Cable	500w: 10ft cable w/ CN B, JN Connector
		MEXTK14JN10FT	Motor Power Cable	1.2kw: 10ft cable w/ CN B, JN Connector
		MEXT10JN10FT	Motor Power Cable	2kw: 10ft cable w/ CN B, JN Connector
		MEXT08JN10FT	Motor Power Cable	5kw: 10ft cable w/ CN B, JN Connector
4-a	MEXTB10JN10FT	Motor Power Cable including Brake Cable	2kw: 10ft cable w/ CN B, JN Connector, *Only for Brake Equipped Motor	
	MEXTB08JN10FT	Motor Power Cable including Brake Cable	5kw: 10ft cable w/ CN B, JN Connector, *Only for Brake Equipped Motor	
	5	AL-0071852-01	I/O CONNECTOR	Amplifier CN3 Connector **Option
*	6	AL-00632607	Connector	EN1 Connector *No need if Encoder Ext. cable is purchased
*	7	AL-Y0004290-02	Connector	Amplifier CN2 Connector
	8	AL-00686902-01	Connector	CN A Connector for 30A **Supplied with Amplifier
*	8	AL-Y0005159-01	Connector	CN A Connector for 100A and up
*	9	AL-Y0004079-01	Connector	CN B Connector for 30A and 50A *No need if Motor Power Ext. cable is purchased
	10	AL-00689703-01	PC Interface Cable	PC INTERFACE CABLE **Option

R EtherCAT Mid

Model Number	Category / Type	Description
RS2A03A0KA4	Servo amplifier	AC200V, 30A, EtherCAT, w/o Regen. Resister
R2AA13050DXP00M	Servo motor	R2 motor, 500W, 130mmsq, 17bit encoder,
MEXTK18JN10FT	Motor Power Cable	50 Amp 10ft Motor Power Cable w/ JN Connector
EEXTKABS24JN10FT	Encoder Cable	10ft Absoulte Encoder Cable w/ JN Connector

RS2A05A0KA4	Servo amplifier	AC200V, 50A, EtherCAT, w/o Regen. Resister
R2AA13120DXP00M	Servo motor	R2 motor, 1.2KW, 130mmsq, 17bit encoder,
MEXTK14JN10FT	Motor Power Cable	50 Amp 10ft Motor Power Cable w/ JN Connector
EEXTKABS24JN10FT	Encoder Cable	10ft Absoulte Encoder Cable w/ JN Connector
	Encoder Cable	

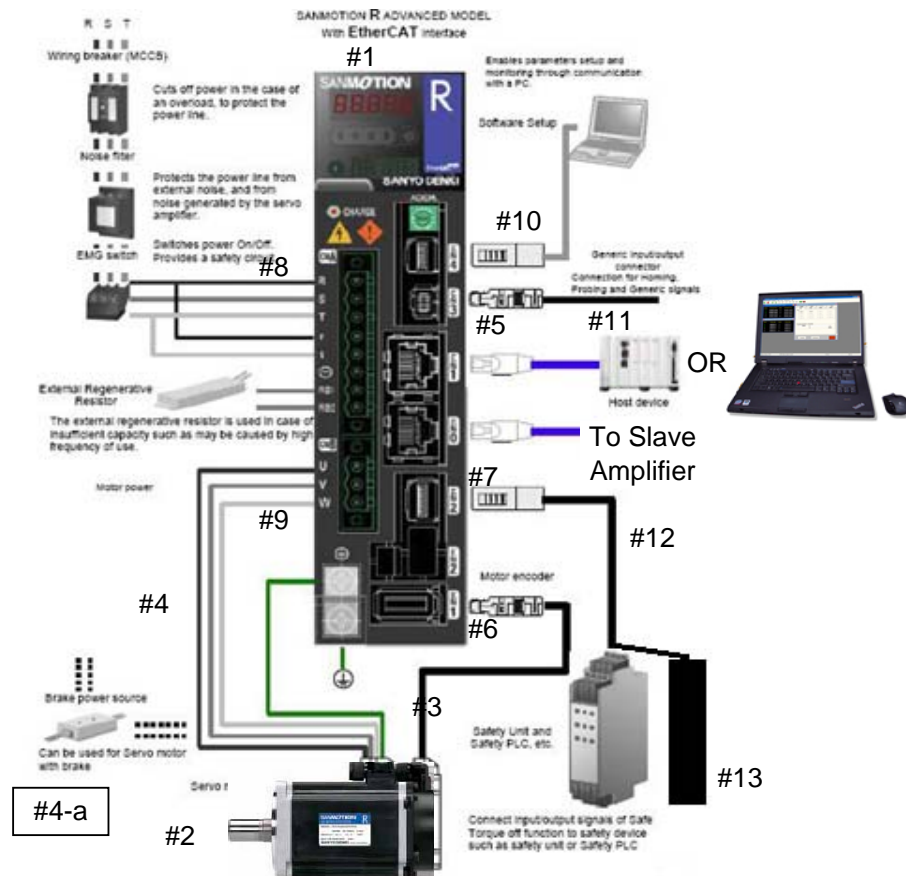
RS2A10A0KA4	Servo amplifier	AC200V, 100A, EtherCAT, w/o Regen. Resister
R2AA13200DXP00M	Servo motor	R2 motor, 2KW, 130mmsq, 17bit encoder,
R2AA13200DCP00M	Servo motor	R2 motor, 2KW, 130mmsq, 17bit encoder, w/brake,
MEXT10JN10FT	Motor Power Cable	50 Amp 10ft Motor Power Cable w/ JN Connector
EEXTKABS24JN10FT	Encoder Cable	10ft Absoulte Encoder Cable w/ JN Connector
MEXTB10JN10FT	Motor Brake Cable	10ft Brake Cable, w/ JN connector

RS2A15A0KA4	Servo amplifier	AC200V, 150A, EtherCAT, w/o Regen. Resister
R2AA22500LXP00M	Servo motor	R2 motor, 5KW, 220mmsq, 17bit encoder,
R2AA22500LCP00M	Servo motor	R2 motor, 5KW, 220mmsq, 17bit encoder, w/brake,
MEXT08JN10FT	Motor Power Cable	50 Amp 10ft Motor Power Cable w/ JN Connector
EEXTKABS24JN10FT	Encoder Cable	10ft Absoulte Encoder Cable w/ JN Connector
MEXTB08JN10FT	Motor Brake Cable	10 ft Brake Cable, w/ JN connector

Accessories

AL-00632607	Servo connector	Amplifier EN1 EN2 Connector
AL-Y0004290-02	Servo connector	Amplifier CN2 Connector
AL-00718252-01	Servo connector	Amplifier CN3 Connector
AL-00689703-01	Servo connector	PC interface cable
AL-00686902-01	Servo connector	amplifier CN A connector
AL-Y0005159-01	Servo connector	amplifier CN A connector (for 100A,150A,300A)
AL-Y0004079-01	Servo connector	amplifier CNB connector
REGIST-500CW7B	Resistor	Regenerative resistor, 125W, 7ohms (Calculation needed, ask Sales.)
REGIST-500CW10B	Resistor	Regenerative resistor, 125W, 10ohms (Calculation needed, ask Sales.)
REGIST-500CW20B	Resistor	Regenerative resistor, 125W, 20ohms (Calculation needed, ask Sales.)

R EtherCAT wiring Diagram (200V)



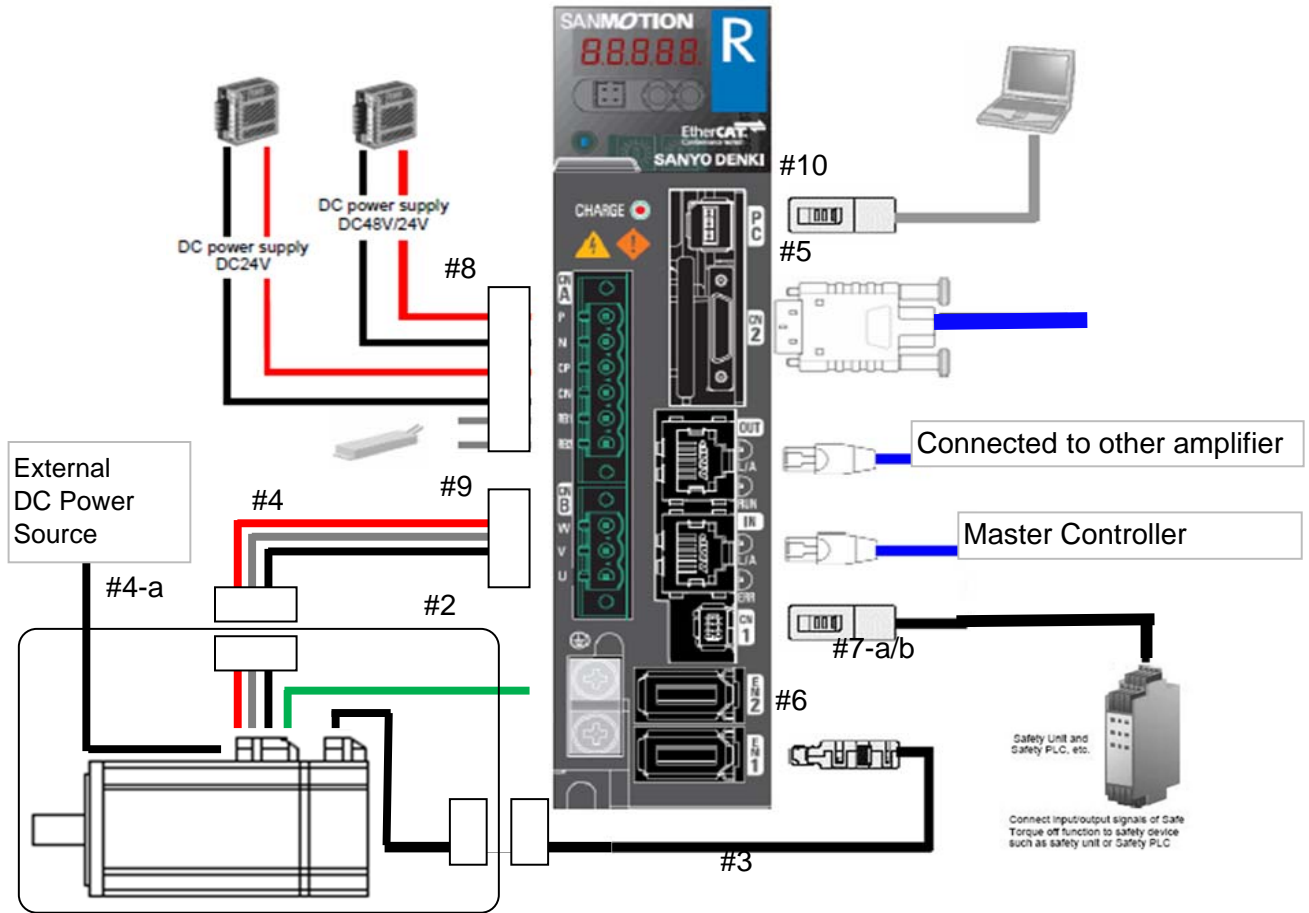
To build a complete system, you need to have " * " items below.

*	1	RS2A0*AK4	Servo amplifier	AC200V, Servo Amplifier, w/ Regen. Resister
*	2	R2AA****FXP00ME01	Servo motor	R2 motor, 30W-1KW, 17bit encoder, AC200V, w/ motor & encoder connectors
*	3	EEXTKABS2410FT	Encoder Cable	10' cable w/ CN1 Connector, for R2 Motor
*	4	MEXTK1810FT	Motor Power Cable	30w-750w: 10' cable w/ CN B Connector,
		MEXTK1410FT	Motor Power Cable	1kw: 10' cable w/ CN B, Connectors
	4-a	MEXTBRK2010FT	Brake Cable	10 ft Brake Cable (Only for Brake Equipped Motor)

	5	AL-0071852-01	I/O CONNECTOR	Amplifier CN3 Connector *No need if I/O cable is purchased
*	6	AL-00632607	Connector	EN1 Connector *No need if Encoder Ext. cable is purchased
*	7	AL-Y0004290-02	Connector	Amplifier CN2 Connector *No need if safety off cable is purchased
	8	AL-00686902-01	Connector	CN A Connector **Supplied with Amplifier
*	9	AL-Y0004079-01	Connector	CN B Connector *No need if Motor Power Ext. cable is purchased
	10	AL-00689703-01	PC Interface Cable	PC INTERFACE CABLE **Option
	11	1026-100407	I/O CABLE	3 FT I/O CABLE ** Option
*	12	1026-100410	SAFETY OFF CABLE	3 FT CABLE, One side flying leads
	13	1026-100416	SAFETY OFF/BATTERY CABLE	3FT CABLE, flying leads + BATTERY + HOLDER

R HS EtherCAT 48V wd R ADVANCED 48VDC EtherCAT Wiring Diagram

#1



To build a complete system, you need to have " * " items below.

*	1	RS2K04A2HA5	Servo amplifier	48 VDC, EtherCAT Servo Amplifier, w/ Regen. Resistor
*	2	R2GA****XP00E01	Servo motor	R2 motor, 30W-200W, 17bit ABS encoder, 48VDC, w/ motor & encoder connectors
*	3	1026-100600	Encoder Cable	10 ft cable w/ EN1 Connector, for R2 Motor
*	4	1026-100599	Motor Power Cable	10 ft cable w/ CNB Connector
	4-a	MEXTGBRK2010FT	Brake Cable	10 ft Brake Cable (Only for Brake Equipped Motor)

	5	AL-00842383	I/O CONNECTOR	Amplifier CN2 Connector
	6	AL-00632607	Connector	EN1 Connector *No need if Encoder Ext. cable is purchased
	7-a	AL-00718252-01	Connector	Amplifier CN1 Connector for STO
	7-b	AL-00849548-02	Connector	Amplifier CN1 Connector for STO cancellation **Supplied with Amplifier
	8	AL-Y0010913-01	Connector	CN A Connector **Supplied with Amplifier
	9	AL-Y0004079-01	Connector	CN B Connector *No need if Motor Power Ext. cable is purchased
	10	AL-00689703-01	PC Interface Cable	PC INTERFACE CABLE **Option