

R Servo Motor & Amplifier

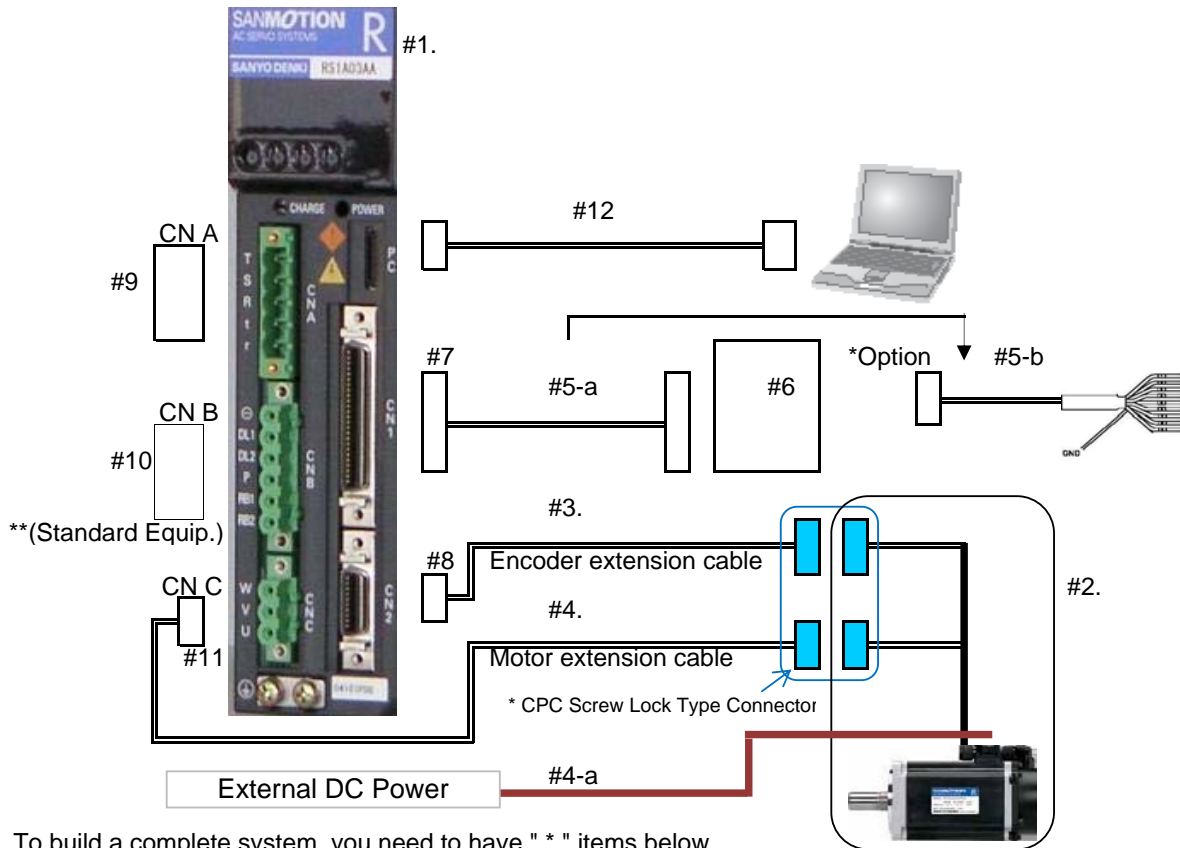
Model Number	Category / Type	Description
RS1A01AA	Servo amplifier	AC200V Servo Amplifier, 15A, w/o Regen. Resister
R2AA04003FXP00M (E01*)	Servo motor	R2 motor, 30W, 40mmsq, 17bit encoder, AC200V
R2AA04005FXP00M (E01*)	Servo motor	R2 motor, 50W, 40mmsq, 17bit encoder, AC200V
R2AA04010FXP00M (E01*)	Servo motor	R2 motor, 100W, 40mmsq, 17bit encoder, AC200V
R2AA04010FCP00M6 (E01*)	Servo motor	R2 motor, 90W, 40mmsq, 17bit encoder, w/brake, AC200V
R2AA06010FXP00M (E01*)	Servo motor	R2 motor, 100W, 60mmsq, 17bit encoder, AC200V
R2AA06020FXP00M (E01*)	Servo motor	R2 motor, 200W, 60mmsq, 17bit encoder, AC200V
EEXTABS2410FT	Encoder Cable	10' cable w/CN 2 connector & CPC Mating connector
MEXT1810FT	Motor Power Cable	10' cable w/ CN C & CPC Mating connector, 15A
MEXTBRK2010FT	Motor Brake Cable	10 ft Brake Cable
CONNECTOR		
*E01: w/ CPC Screw Lock Type connector assembly, available with an additional charge of \$54.00 + 2 weeks lead time (*No Discount)		

RS1A03AA	Servo amplifier	AC200V Servo Amplifier, 30A, w/o Regen. Resister
R2AA06040FXP00M (E01*)	Servo motor	R2 motor, 400W, 60mmsq, 17bit encoder, AC200V
R2AA06040FCP00M6 (E01*)	Servo motor	R2 motor, 360W, 60mmsq, 17bit encoder, w/brake,
R2AA08075FXP00M (E01*)	Servo motor	R2 motor, 750W, 80mmsq, 17bit encoder, AC200V
R2AA08075FCP00M (E01*)	Servo motor	R2 motor, 750W, 80mmsq, 17bit encoder, w/brake,
EEXTABS2410FT	Encoder Cable	10' cable w/CN 2 connector & CPC Mating connector
MEXT1810FT	Motor Power Cable	10' cable w/ CN C & CPC Mating connector, 15A
MEXTBRK2010FT	Motor Brake Cable	10 ft Brake Cable
CONNECTOR	May be required for your application, please see the accessories section below.	
*E01: w/ CPC Screw Lock Type connector assembly, available with an additional charge of \$54.00 + 2 weeks lead time (*No Discount)		

Accessories

QH0-CJ0201-S01	I/O Cable	I/O cable, 2m, Both sides 50 pin connectors
QH0-CJ0203-S01	I/O Cable	I/O cable, 2m, one side 50 pin connectors, one side flying lead with pin number marker tubes
QH0-TB001-S01	Terminal block	Terminal block, for 50 pin connector
AL-00385594	Connector	CN1 connector
AL-00385596	Connector	CN2 Connector
AL-00329461-01	Connector	CN A connector
AL-Y0000988-01	Connector	CN B Connector **Supplied with Amplifier
AL-00329458-01	Connector	CN C Connector
AL-00490833-01	PC Interface Cable	PC Interface Cable
AL-00494635-01	Lithium Battery	Lithium Battery Back-up Kit for Absolute Setting
REGIST-120W100B	Resistor	Regenerative resistor, 30W, 100ohms (Calculation needed, ask Sales.)
REGIST-220W50B	Resistor	Regenerative resistor, 55W, 50ohms (Calculation needed, ask Sales.)

R Wiring Diagram



To build a complete system, you need to have " * " items below.

*	1	RS1A0*AA	Servo amplifier	AC200V Servo Amplifier, w/(w/o) Regen. Resister
*	2	R2AA*****FXP00ME01	Servo motor	R2 motor, 30-750W, 17bit encoder, AC200V, w/motor & encoder connectors
*	3	EEXTABS2410FT	Encoder Cable	10 ft cable w/ CN2 Connector, for R2 Motor
*	4	MEXT1810FT	Motor Power Cable	10 ft cable w/ CN C Connector,
	4-a	MEXTBRK2010FT	Brake Cable	10 ft Brake Cable (Only for Brake Equipped Motor)

I/O cable can be choose either 5-a & 6 or 5-b.

*	5-a	QH0-CJ0201-S01	I/O Cable	I/O cable, 2m, Both sides 50 pin connectors
	6	QH0-TB001-S01	Terminal block	Terminal block, for 50 pin connector
*	5-b	QH0-CJ0203-S01	I/O Cable	I/O cable, 2m, one side 50 pin connectors, one side flying lead with pin number marker tubes
	7	AL-00385594	Connector	CN1 Connector *No need if I/O cable is purchased
	8	AL-00385596	Connector	CN2 Connector *No need if Encoder Ext. cable is purchased
*	9	AL-00329461-01	Connector	CN A Connector
	10	AL-Y0000988-01	Connector	CN B Connector **Supplied with Amplifier
	11	AL-00329458-01	Connector	CN C Connector *No need if Encoder Ext. cable is purchased
	12	AL-00490833-01	PC Interface Cable	PC INTERFACE CABLE **Option

R Servo Mid-Capacity

Model Number	Category / Type	Description
RS1A03AA	Servo amplifier	AC200V Servo Amplifier, 30A, w/o Regen. Resister
R2AA13050DXP00M	Servo motor	R2 motor, 500W, 130mmsq, 17bit encoder,
MEXT18JN10FT	Motor Power Cable	30 Amp 10ft Motor Power Cable w/ JN Connector
EEXTABS24JN10FT	Encoder Cable	10ft Absoulte Encoder Cable w/ JN Connector

RS1A05AA	Servo amplifier	AC200V Servo Amplifier, 50A, w/ Regen. Resister
R2AA13120DXP00M	Servo motor	R2 motor, 1.2KW, 130mmsq, 17bit encoder,
MEXT12JN10FT	Motor Power Cable	50 Amp 10ft Motor Power Cable w/ JN Connector
EEXTABS24JN10FT	Encoder Cable	10ft Absoulte Encoder Cable w/ JN Connector

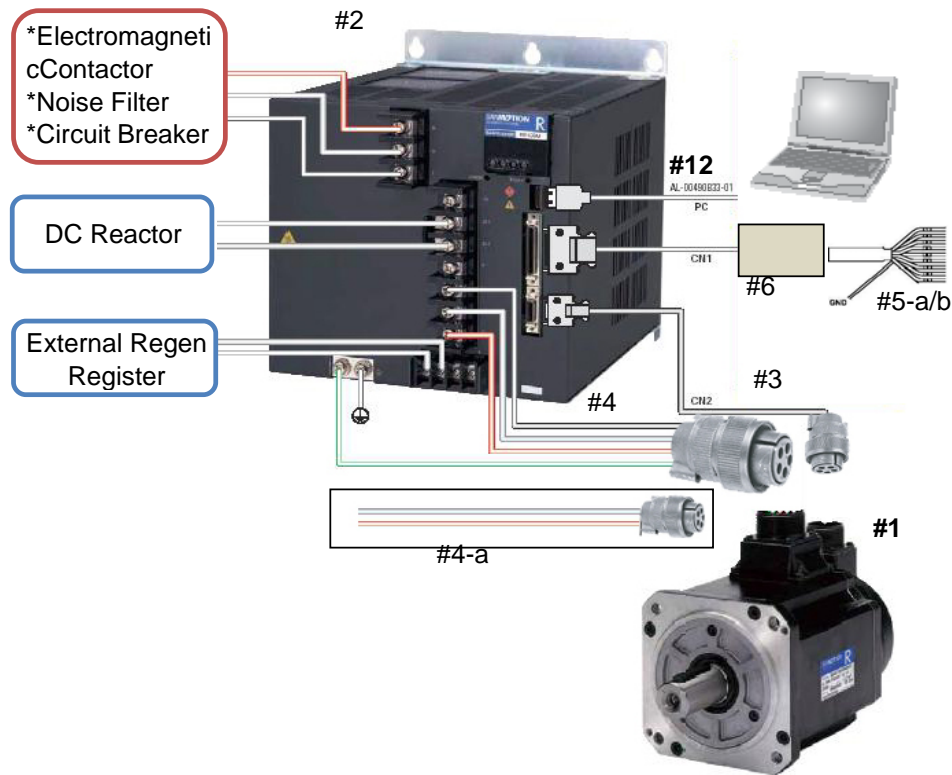
RS1A10AA	Servo amplifier	AC200V Servo Amplifier, 100A, w/ Regen. Resister
R2AA13200DXP00M	Servo motor	R2 motor, 2KW, 130mmsq, 17bit encoder,
R2AA13200DCP00M	Servo motor	R2 motor, 2KW, 130mmsq, 17bit encoder, w/brake,
MEXT10JN10FT	Motor Power Cable	100 Amp 10ft Motor Power Cable w/ JN Connector
EEXTABS24JN10FT	Encoder Cable	10ft Absoulte Encoder Cable w/ JN Connector
MEXTB10JN10FT	Motor Brake Cable	10 ft Brake Cable, w/ JN connector

RS1A15AA	Servo amplifier	AC200V Servo Amplifier, 150A, w/ Regen. Resister
R2AA22500LXP00M	Servo motor	R2 motor, 5KW, 220mmsq, 17bit encoder,
R2AA22500LCP00M	Servo motor	R2 motor, 5KW, 220mmsq, 17bit encoder, w/brake,
MEXT10JN10FT	Motor Power Cable	150 Amp 10ft Motor Power Cable w/ JN Connector
EEXTABS24JN10FT	Encoder Cable	10ft Absoulte Encoder Cable w/ JN Connector
MEXTB10JN10FT	Motor Brake Cable	10 ft Brake Cable, w/ JN connector

Accessories

QH0-CJ0201-S01	I/O Cable	I/O cable, 2m, Both sides 50 pin connectors
QH0-CJ0203-S01	I/O Cable	I/O cable, 2m, one side 50 pin connectors, one side flying lead with pin number marker tubes
QH0-TB001-S01	Terminal block	Terminal block, for 50 pin connector
AL-00385594	Connector	CN1 connector
AL-00385596	Connector	CN2 Connector
AL-00329461-01	Connector	CN A connector **#1
AL-Y0000988-01	Connector	CN B Connector **#1 *Supplied with Amplifier
AL-00329458-01	Connector	CN C Connector **#1
AL-00490833-01	PC Interface Cable	PC Interface Cable
AL-00494635-01	Lithium Battery	Lithium Battery Back-up Kit for Absolute Setting
REGIST-500CW7B	Resistor	Regenerative resistor, 125W, 7ohms (Calculation needed, ask Sales.)
REGIST-500CW10B	Resistor	Regenerative resistor, 125W, 10ohms (Calculation needed, ask Sales.)
REGIST-500CW20B	Resistor	Regenerative resistor, 125W, 20ohms (Calculation needed, ask Sales.)

R Mid Capacity Wiring Diagram



To build a complete system, you need to have " * " items below.

*	1	RS1A**AA	Servo amplifier	AC200V Servo Amplifier, w/, w/o Regen. Resister
*	2	R2AA****FXP00M	Servo motor	R2 motor, 0.5 - 5 KW, 17bit encoder, AC200V
*	3	EEXTABS24JN10FT	Encoder Cable	10' cable w/ CN2 Connector, for R2 Motor
*	4	MEXT18JN10FT	Motor Power Cable	500w:10ft Motor Power Cable w/ JN Connector
		MEXT12JN10FT	Motor Power Cable	1.2kw: 10ft Motor Power Cable w/ JN Connector
		MEXT10JN10FT	Motor Power Cable	2kw/5kw:10ft Motor Power Cable w/ JN Connector
	4-a	MEXTBRKJN10FT	Brake Cable	10 ft Brake Cable, w/ JN connector
I/O cable can be choose either 5-a & 6 or 5-b.				
*	5-a	QH0-CJ0201-S01	I/O Cable	I/O cable, 2m, Both sides 50 pin connectors
	6	QH0-TB001-S01	Terminal block	Terminal block, for 50 pin connector
*	5-b	QH0-CJ0203-S01	I/O Cable	I/O cable, 2m, one side 50 pin connectors, one side flying lead with pin number marker tubes
	7	AL-00385594	Connector	CN1 Connector *No need if I/O cable is purchased
	8	AL-00385596	Connector	CN2 Connector *No need if Encoder Ext. cable is purchased
**#1	9	AL-00329461-01	Connector	CN A Connector
**#1	10	AL-Y0000988-01	Connector	CN B Connector **Supplied with Amplifier
**#1	11	AL-00329458-01	Connector	CN C Connector *No need if Encoder Ext. cable is purchased
	12	AL-00490833-01	PC Interface Cable	PC INTERFACE CABLE **Option

**#1 = For "RS1A03AA" and "RS1A05AA" amplifier.

R Type C Servo System

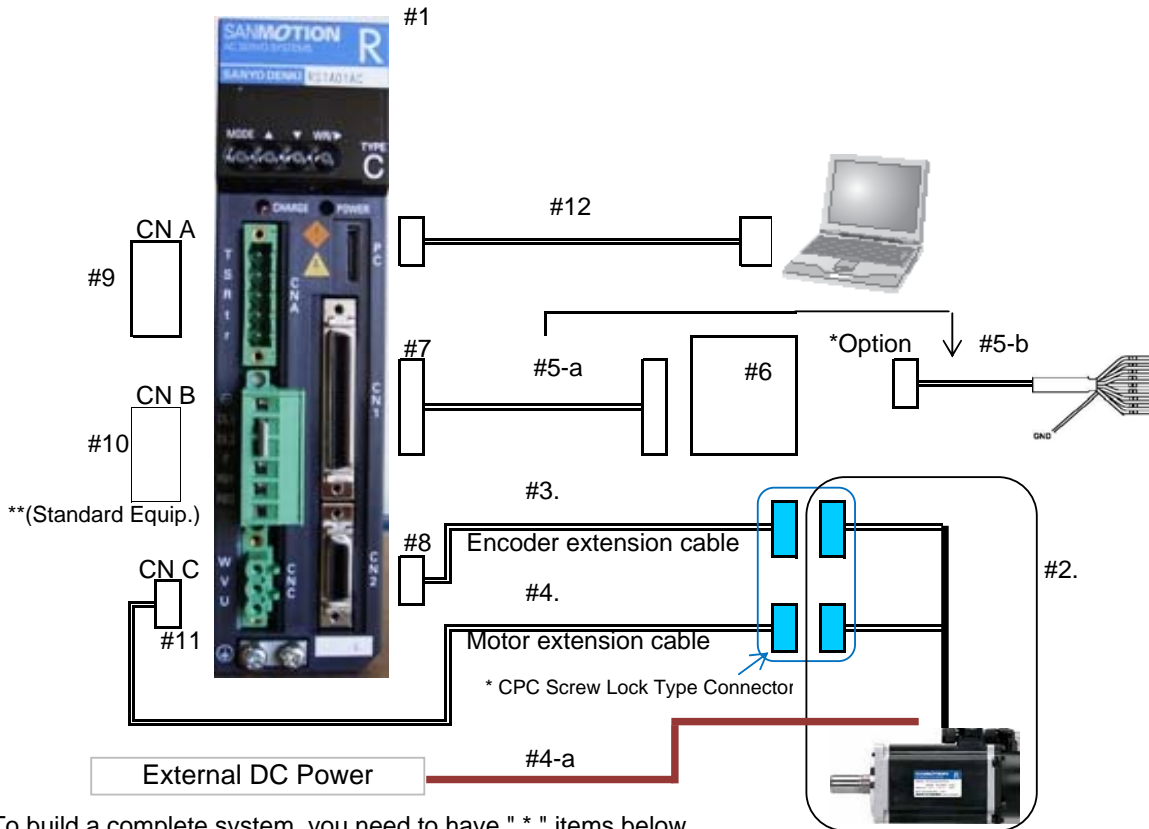
Model Number	Category / Type	Description
RS1A01AC	Servo amplifier	AC200V Servo Amplifier (Indexer), 15A, w/o Regen. Resister
RS1A01AF	Servo amplifier	AC200V Servo Amplifier (Modbus), 15A, w/o Regen. Resister
R2AA04003FXP00M (E01*)	Servo motor	R2 motor, 30W, 40mmsq, 17bit , AC200V
R2AA04005FXP00M (E01*)	Servo motor	R2 motor, 50W, 40mmsq, 17bit , AC200V
R2AA04010FXP00M (E01*)	Servo motor	R2 motor, 100W, 40mmsq, 17bit , AC200V
R2AA04010FCP00M6 (E01*)	Servo motor	R2 motor, 90W, 40mmsq, 17bit , w/brake, AC200V
R2AA06010FXP00M (E01*)	Servo motor	R2 motor, 100W, 60mmsq, 17bit , AC200V
R2AA06020FXP00M (E01*)	Servo motor	R2 motor, 200W, 60mmsq, 17bit , AC200V
EEXTABS2410FT	Encoder Cable	10' cable w/CN 2 connector & CPC Mating connector
MEXT1810FT	Motor Power Cable	10' cable w/ CN C & CPC Mating connector, 15A
MEXTBRK2010FT	Motor Brake Cable	10 ft Brake Cable
CONNECTOR		
*E01: w/ CPC Screw Lock Type connector assembly, available with an additional charge of \$54.00 + 2 weeks lead time (*No Discount)		

RS1A03AC	Servo amplifier	AC200V Servo Amplifier (Indexer), 30A, w/o Regen. Resister
RS1A03AF	Servo amplifier	AC200V Servo Amplifier, 30A, w/o Regen. Resister
R2AA06040FXP00M (E01*)	Servo motor	R2 motor, 400W, 60mmsq, 17bit encoder, AC200V
R2AA06040FCP00M6 (E01*)	Servo motor	R2 motor, 360W, 60mmsq, 17bit encoder, w/brake,
R2AA08075FXP00M (E01*)	Servo motor	R2 motor, 750W, 80mmsq, 17bit encoder, AC200V
R2AA08075FCP00M (E01*)	Servo motor	R2 motor, 750W, 80mmsq, 17bit encoder, w/brake,
EEXTABS2410FT	Encoder Cable	10' cable w/CN 2 connector & CPC Mating connector
MEXT1810FT	Motor Power Cable	10' cable w/CNC & CPC Mating connector, 30A & 50A
MEXTBRK2010FT	Motor Brake Cable	10 ft Brake Cable
CONNECTOR		May be required for your application, please see the accessories section below.
*E01: w/ CPC Screw Lock Type connector assembly, available with an additional charge of \$54.00 + 2 weeks lead time (*No Discount)		

Accessories

QH0-CJ0201-S01	I/O Cable	I/O cable, 2m, Both sides 50 pin connectors
QH0-CJ0203-S01	I/O Cable	I/O cable, 2m, one side 50 pin connectors, one side flying lead with pin number marker tube:
QH0-TB001-S01	Terminal block	Terminal block, for 50 pin connector
AL-00385594	Connector	CN1 connector (Indexer)
AL-Y0004290-02	Connector	CN1 connector (Modbus)
1026-100410	Cable	I/O cable, 3FT (Modbus)
AL-00385596	Connector	CN2 Connector
AL-00329461-01	Connector	CN A connector
AL-Y0000988-01	Connector	CN B Connector ***Supplied with Amplifier
AL-00329458-01	Connector	CN C Connector
AL-00490833-01	PC Interface Cable	PC Interface Cable
AL-00494635-01	Lithium Battery	Lithium Battery Back-up Kit for Absolute Setting
REGIST-120W100B	Resistor	Regenerative resistor, 30W, 100ohms (Calculation needed ask Sales.)
REGIST-220W50B	Resistor	Regenerative resistor, 55W, 50ohms (Calculation needed, ask Sales.)

R Type C (Indexer) Wiring Diagram



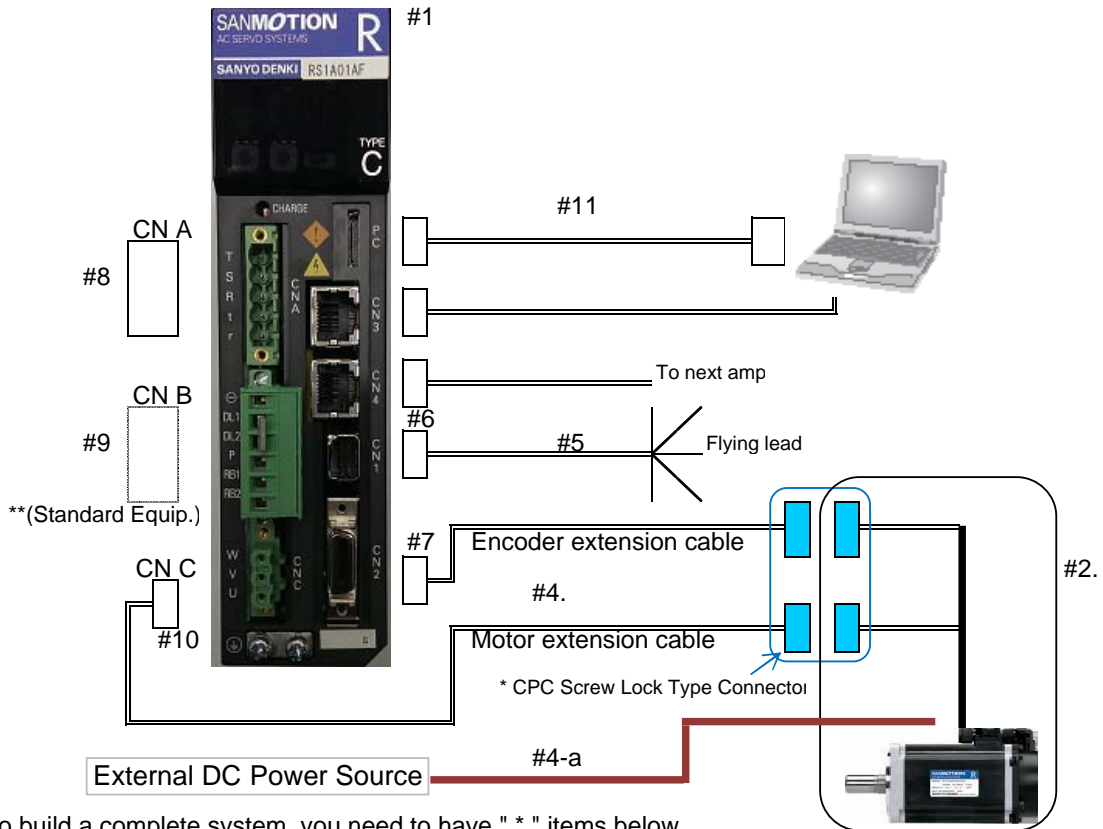
To build a complete system, you need to have " * " items below.

* 1	RS1A0*AC	Servo amplifier	AC200V Servo Amplifier, w/ Regen. Resister
* 2	R2AA****FXP00ME01	Servo motor	R2 motor, 30-750W, 17bit encoder, AC200V, w/motor & encoder connectors
* 3	EEXTABS2410FT	Encoder Cable	10' cable w/ CN2 Connector, for R2 Motor
* 4	MEXT1810FT	Motor Power Cable	10 ft cable w/ CN C Connector,
4-a	MEXTBRK2010FT	Brake Cable	10 ft Brake Cable (Only for Brake Equipped Motor)

I/O cable can be choose either 5-a & 6 or 5-b.

* 5-a	QH0-CJ0201-S01	I/O Cable	I/O cable, 2m, Both sides 50 pin connectors
6	QH0-TB001-S01	Terminal block	Terminal block, for 50 pin connector
* 5-b	QH0-CJ0203-S01	I/O Cable	I/O cable, 2m, one side 50 pin connectors, one side flying lead with pin number marker tubes
7	AL-00385594	Connector	CN1 Connector *No need if I/O cable is purchased
8	AL-00385596	Connector	CN2 Connector *No need if Encoder Ext. cable is purchased
* 9	AL-00329461-01	Connector	CN A Connector
10	AL-Y0000988-01	Connector	CN B Connector **Supplied with Amplifier
11	AL-00329458-01	Connector	CN C Connector *No need if Encoder Ext. cable is purchased
12	AL-00490833-01	PC Interface Cable	PC INTERFACE CABLE **Option

R Type C (Modbus) Wiring Diagram



To build a complete system, you need to have " * " items below.

* 1	RS1A0*AF	Servo amplifier	AC200V Servo Amplifier, w/ Regen. Resister
* 2	R2AA****FXP00ME01	Servo motor	R2 motor, 30-750W, 17bit encoder, AC200V, w/motor & encoder connectors
* 3	EEXTABS2410FT	Encoder Cable	10' cable w/ CN2 Connector, for R2 Motor
* 4	MEXT1810FT	Motor Power Cable	10' cable w/ CN C Connector, 15A
4-a	MEXTBRK2010FT	Brake Cable	10 ft Brake Cable (Only for Brake Equipped Motor)
* 5	1026-100410	I/O Cable	I/O cable, 3 ft, One side flying leads
* 6	AL-Y0004290	Connector	CN1 Connector *No need if I/O cable is purchased
* 7	AL-00385596	Connector	CN2 Connector *No need if Encoder Ext. cable is purchased
* 8	AL-00329461-01	Connector	CN A Connector
* 9	AL-Y0000988-01	Connector	CN B Connector **Supplied with Amplifier
* 10	AL-00329458-01	Connector	CN C Connector *No need if Encoder Ext. cable is purchased
* 11	AL-00490833-01	PC Interface Cable	PC INTERFACE CABLE **Option

R Type C Mid-Capacity

Model Number	Category / Type	Description
RS1A03AC	Servo amplifier	AC200V Servo Amplifier, 30A, w/o Regen. Resister
R2AA13050DXP00M	Servo motor	R2 motor, 500W, 130mmsq, 17bit encoder,
MEXT18JN10FT	Motor Power Cable	30 Amp 10ft Motor Power Cable w/ JN Connector
EEXTABS24JN10FT	Encoder Cable	10ft Absoulte Encoder Cable w/ JN Connector

RS1A05AC	Servo amplifier	AC200V Servo Amplifier, 50A, w/ Regen. Resister
R2AA13120DXP00M	Servo motor	R2 motor, 1.2KW, 130mmsq, 17bit encoder,
MEXT12JN10FT	Motor Power Cable	50 Amp 10ft Motor Power Cable w/ JN Connector
EEXTABS24JN10FT	Encoder Cable	10ft Absoulte Encoder Cable w/ JN Connector

RS1A10AC	Servo amplifier	AC200V Servo Amplifier, 100A, w/ Regen. Resister
R2AA13200DXP00M	Servo motor	R2 motor, 2KW, 130mmsq, 17bit encoder,
R2AA13200DCP00M	Servo motor	R2 motor, 2KW, 130mmsq, 17bit encoder, w/brake,
MEXT10JN10FT	Motor Power Cable	100 Amp 10ft Motor Power Cable w/ JN Connector
EEXTABS24JN10FT	Encoder Cable	10ft Absoulte Encoder Cable w/ JN Connector
MEXTB10JN10FT	Motor Brake Cable	10 ft Brake Cable, w/ JN connector

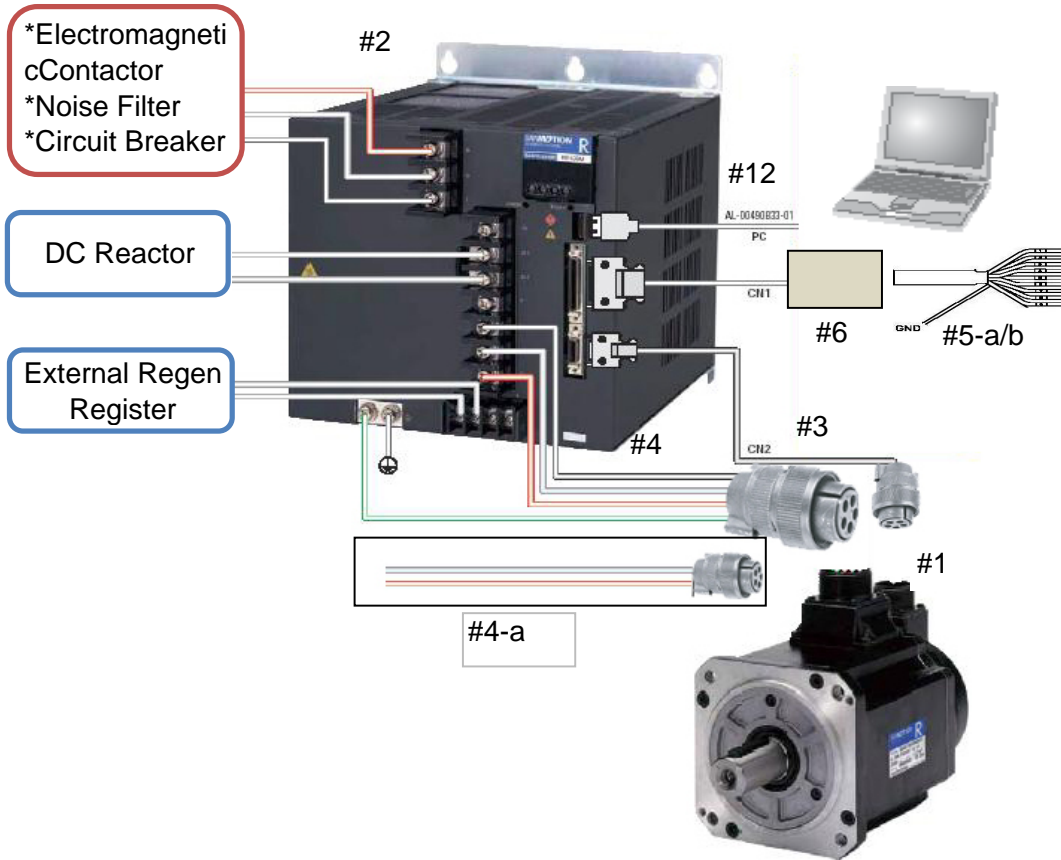
RS1A15AC	Servo amplifier	AC200V Servo Amplifier, 150A, w/ Regen. Resister
R2AA22500LXP00M	Servo motor	R2 motor, 5KW, 220mmsq, 17bit encoder,
R2AA22500LCP00M	Servo motor	R2 motor, 5KW, 220mmsq, 17bit encoder, w/brake,
MEXT10JN10FT	Motor Power Cable	150 Amp 10ft Motor Power Cable w/ JN Connector
EEXTABS24JN10FT	Encoder Cable	10ft Absoulte Encoder Cable w/ JN Connector
MEXTB10JN10FT	Motor Brake Cable	10 ft Brake Cable, w/ JN connector

Accessories

QH0-CJ0201-S01	I/O Cable	I/O cable, 2m, Both sides 50 pin connectors
QH0-CJ0203-S01	I/O Cable	I/O cable, 2m, one side 50 pin connectors, one side flying lead with pin number marker tubes
QH0-TB001-S01	Terminal block	Terminal block, for 50 pin connector
AL-00385594	Connector	CN1 connector
AL-00385596	Connector	CN2 Connector
AL-00329461-01	Connector	CN A connector **#1
AL-Y0000988-01	Connector	CN B Connector **#1 *Supplied with Amplifier
AL-00329458-01	Connector	CN C Connector **#1
AL-00490833-01	PC Interface Cable	PC Interface Cable
AL-00494635-01	Lithium Battery	Lithium Battery Back-up Kit for Absolute Setting
REGIST-500CW7B	Resistor	Regenerative resistor, 125W, 7ohms (Calculation needed, ask Sales.)
REGIST-500CW10B	Resistor	Regenerative resistor, 125W, 10ohms (Calculation needed, ask Sales.)
REGIST-500CW20B	Resistor	Regenerative resistor, 125W, 20ohms (Calculation needed, ask Sales.)

**#1 = For "RS1A03AA" and "RS1A05AA" amplifier.

R Type C mid Capacity Wiring Diagram



To build a complete system, you need to have " * " items below.

*	1	RS1A0*AC	Servo amplifier	AC200V Servo Amplifier, w/, w/o Regen. Resister
*	2	R2AA****FXP00M	Servo motor	R2 motor, 0.5 - 5 KW, 17bit encoder, AC200V
*	3	EEXTABS24JN10FT	Encoder Cable	10' cable w/ CN2 Connector, for R2 Motor
*	4	MEXT18JN10FT	Motor Power Cable	500w:10ft Motor Power Cable w/ JN Connector
		MEXT12JN10FT	Motor Power Cable	1.2kw: 10ft Motor Power Cable w/ JN Connector
		MEXT10JN10FT	Motor Power Cable	2kw/5kw:10ft Motor Power Cable w/ JN Connector
	4-a	MEXTBRKJN10FT	Brake Cable	10 ft Brake Cable, w/ JN connector

I/O cable can be choose either 5-a & 6 or 5-b.

*	5-a	QH0-CJ0201-S01	I/O Cable	I/O cable, 2m, Both sides 50 pin connectors
	6	QH0-TB001-S01	Terminal block	Terminal block, for 50 pin connector
*	5-b	QH0-CJ0203-S01	I/O Cable	I/O cable, 2m, one side 50 pin connectors, one side flying lead with pin number marker tubes
	7	AL-00385594	Connector	CN1 Connector *No need if I/O cable is purchased
	8	AL-00385596	Connector	CN2 Connector *No need if Encoder Ext. cable is purchased
**#1	9	AL-00329461-01	Connector	CN A Connector
**#1	10	AL-Y0000988-01	Connector	CN B Connector **Supplied with Amplifier
**#1	11	AL-00329458-01	Connector	CN C Connector *No need if Encoder Ext. cable is purchased
	12	AL-00490833-01	PC Interface Cable	PC INTERFACE CABLE **Option

**#1 = For "RS1A03AA" and "RS1A05AA" amplifier.